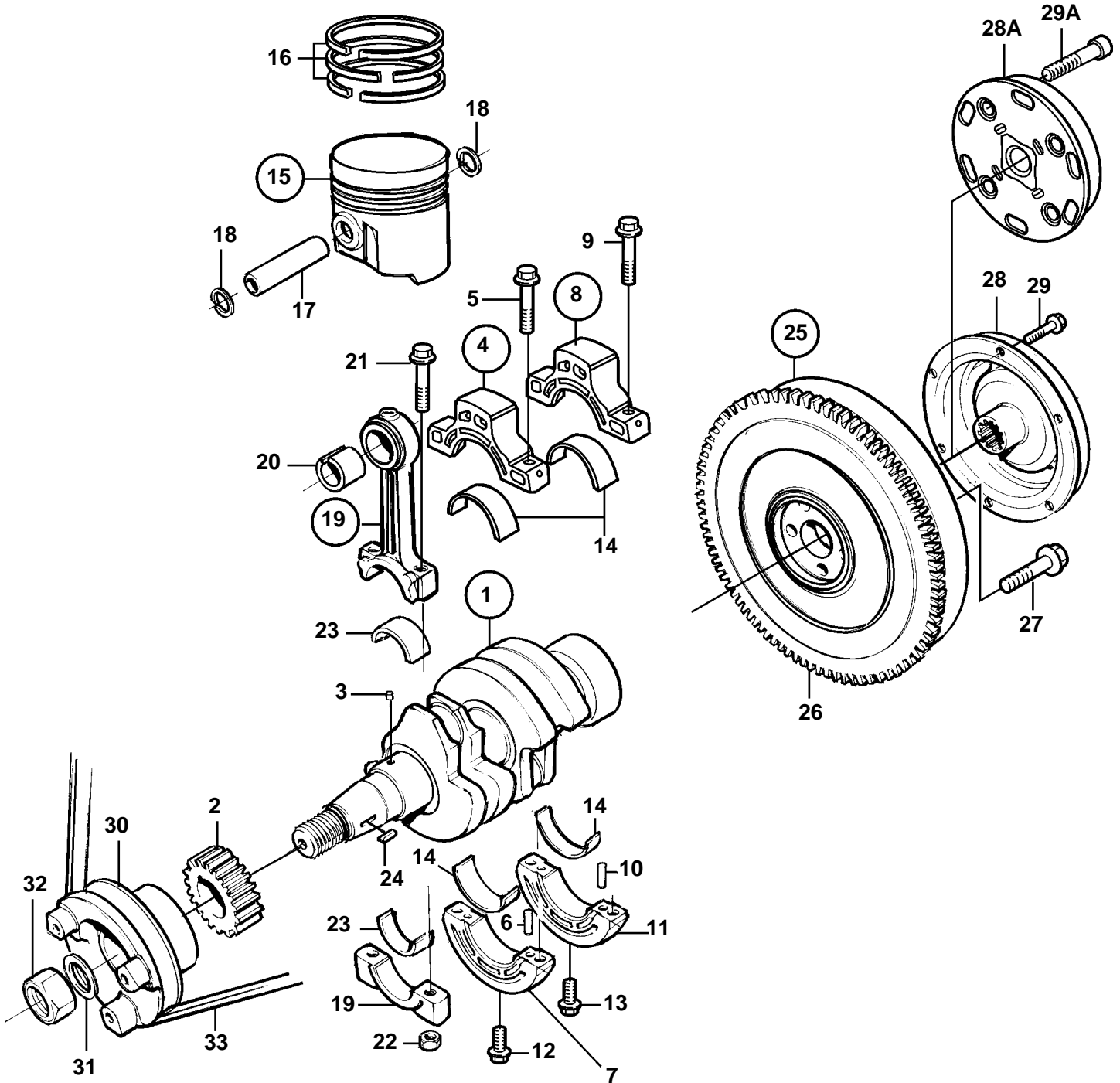


MD2010C, MD2010D



22731

## MD2010C, MD2010D

REF	PART NO.	QTY	DESCRIPTION	SEE SEC.	NOTES
1	861932	1	Crankshaft		
2	861933	1	· Gear		
3	861934	1	· Key		
4		1	Retainer		
5	947760	2	· Flange screw		
6		2	· Pin		
7		1	· Retainer		
8		1	Retainer		
9	947760	2	· Flange screw		(861936)
10		2	· Pin		
11		1	· Retainer		
12	861952	1	Screw		
13	861953	2	Screw		
14	876657	1	Main bearing kit		STD
	876658	1	Main bearing kit		U.S=0,25mm
	876659	1	Main bearing kit		U.S=0,50mm
15	876692	2	Piston kit		STD
	876696	2	Piston kit		O.S=0,25mm
	876814	2	Piston kit		O.D=0,50mm
16	861954	2	· Piston ring kit		STD
	861955	2	· Piston ring kit		O.S=0,25mm
	861956	2	· Piston ring kit		O.D=0,50mm
17	861960	2	· Piston pin		
18	861961	4	· Lock ring		
19	861962	2	Connecting rod		
20	861963	2	· Bushing		
21	861964	4	· Screw		
22	861965	4	· Nut		
23	876669	1	Big end bearing kit		STD
	876670	1	Big end bearing kit		U.S=0,25mm
	876671	1	Big end bearing kit		U.S=0,50mm
24	861969	1	Woodruff key		
25	861972	1	Flywheel		
26	861973	1	· Gear ring		
27	861974	4	Screw		
28	872809	1	Vibration damper		UP TO MD2010C
28A	3885414	1	Vibration damper		MD2010D
29	861975	6	Screw		UP TO MD2010C
29A	959207	6	Screw		MD2010D
30	861976	1	Pulley		
31	861978	1	Washer		
32	861977	1	Nut		
33		1	V-belt	4187	